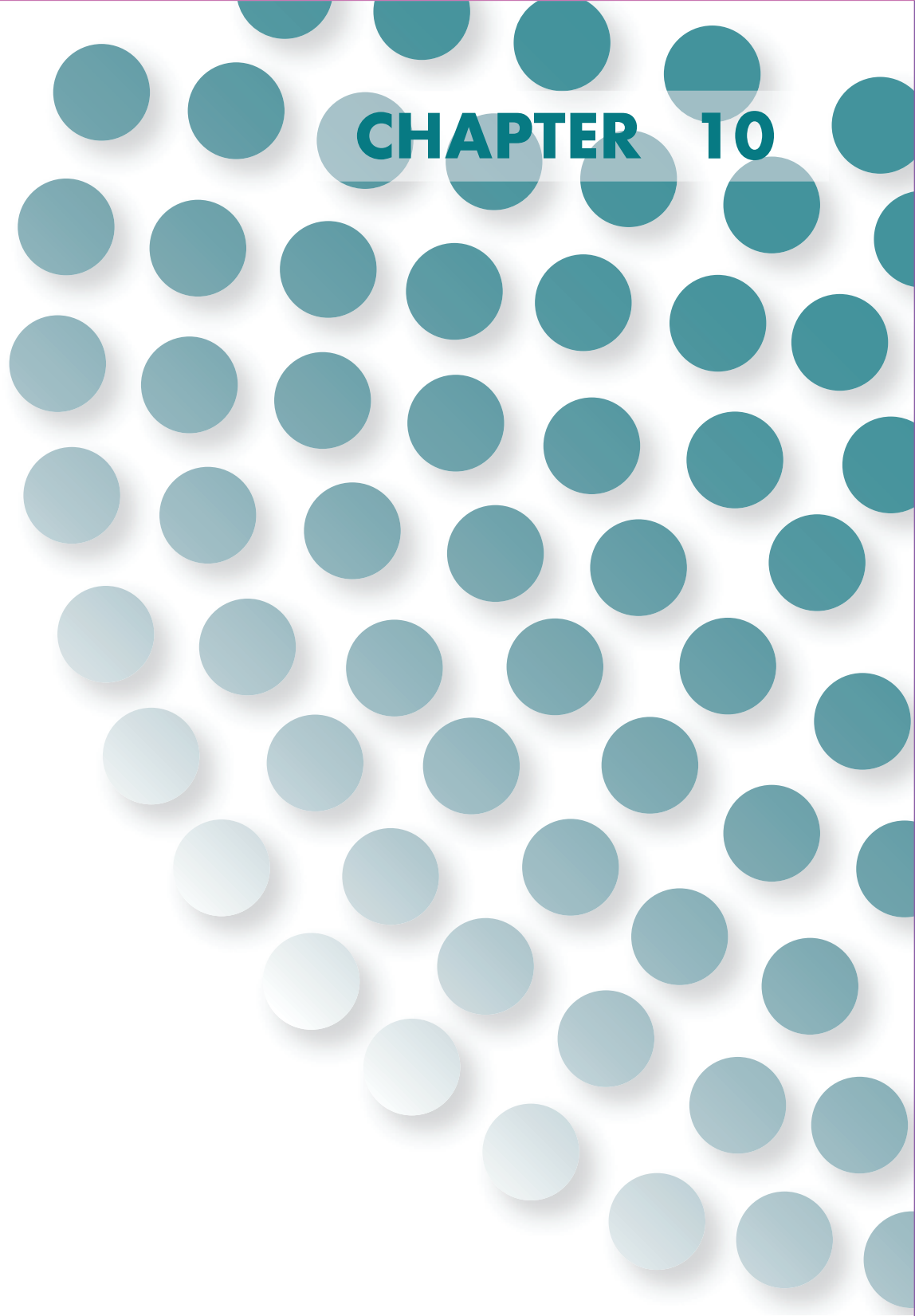


CHAPTER 10



DISC VALVES

PAGE NO.	CONTENTS
01	Introduction, Features & Characteristics, Operating Range & Quick Selection Table.
02	Models, Sizes & Dimensions Table.
03	Fixing Collar / Mounting Ring Details, Mounting Instructions.
04	Selection Diagrams, size 100 mm Ø.
05	Selection Diagrams, size 150 mm Ø.
06	Selection Diagrams, size 200 mm Ø.
07	Ordering Data.



Disc / Air Valves are a pleasing terminal device which contains good appearance with a very accurate control over supply or exhaust air volumes.

The Disc Valves have been designed to provide a compact, clean and attractive means to ventilate (supply or exhaust) bathrooms, toilets, wash rooms, kitchens and other small rooms.

Features & Characteristics :

- Construction : outer ring and inner disc are manufactured from steel sheet and finished in durable white powder coating color to RAL – 9010 as standard.
- Fixing Collar or Mounting Ring is manufactured from galvanized steel sheet and supplied as a standard with no extra cost.
- Sponge Gasket : provided around the back side of the outer ring as a standard with no extra cost.
- They can provide relatively high air volumes whilst retaining good diffusion and low noise and pressure drop characteristics.
- The inner disc (core) is fully adjustable, its connected to the outer frame by threaded rod for accurate and easy adjustment.
- Fixing is obtained by twisting the valve body into the fixing collar until attaining a perfect seal utilizing the gasket provided.
- Valve adjustment is achieved by simply rotating the inner disc (core) inwards or outwards on its spindle and locking into its set position using the holding nut at the rear of the valve assembly.
- Mounting Instructions : see page No. DV-03.
- Surface Finishes : see page No. DV-07.



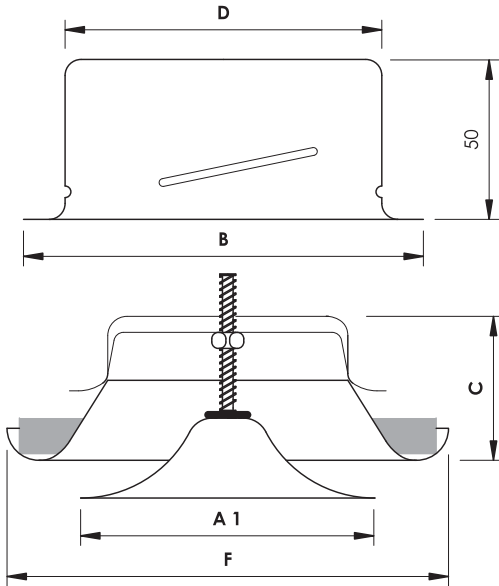
TABLE DV - 01

OPERATING RANGE & QUICK SELECTION TABLE											
SUPPLY						EXHAUST					
Available Sizes		Noise Level				Available Sizes		Noise Level			
mm	Inch	Min.	<25	>25	35	mm	Inch	Min.	<25	>25	35
100 ø	4" ø	5	26	28	40	100 ø	4" ø	5	60	62	85
150 ø	6" ø	30	100	105	140	150 ø	6" ø	20	140	145	220
200 ø	8" ø	10	90	100	118	200 ø	8" ø	20	245	250	350

- Figures are in (m³ / h).
- Selection based on (0) level position (see pages No. DV-04, 05 & 06).

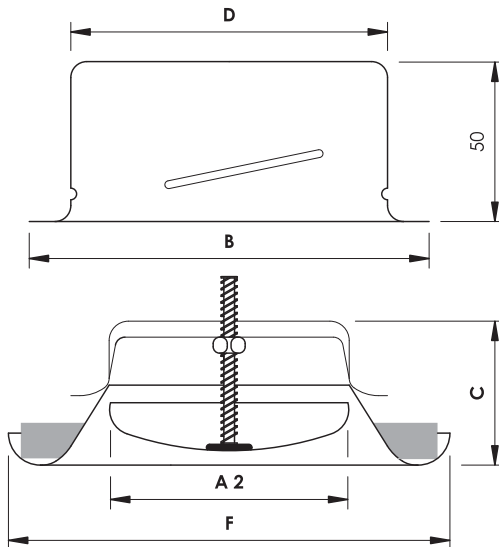
Models Construction and Dimensional Details

Supply Disc Valve, Model SUPPLY D.V. METAL



- Supply Disc Valve complete with its fixing collar.

Exhaust Disc Valve, Model EXH. D.V. METAL



- Exhaust Disc Valve complete with its fixing collar.

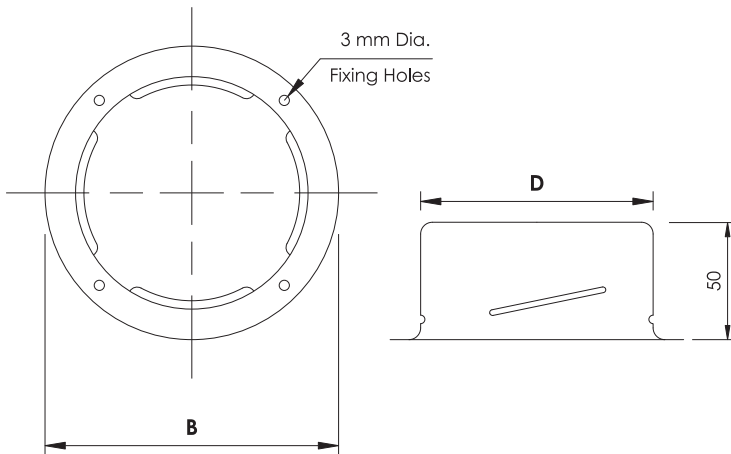
TABLE DV - 02

NECK & OTHER DIMENSIONS FOR SUPPLY & EXHAUST DISC VALVES

Nominal / Listed Sizes		Dimensions in mm					
mm	Inch	D Ø	F Ø	A 1 Ø	A 2 Ø	B Ø	C
100 Ø	4" Ø	99	138	92	75	125	40
150 Ø	6" Ø	149	202	135	119	175	50
200 Ø	8" Ø	199	248	194	157	225	63

- All Dimensions are in mm and subject to ± 2 mm tolerance.

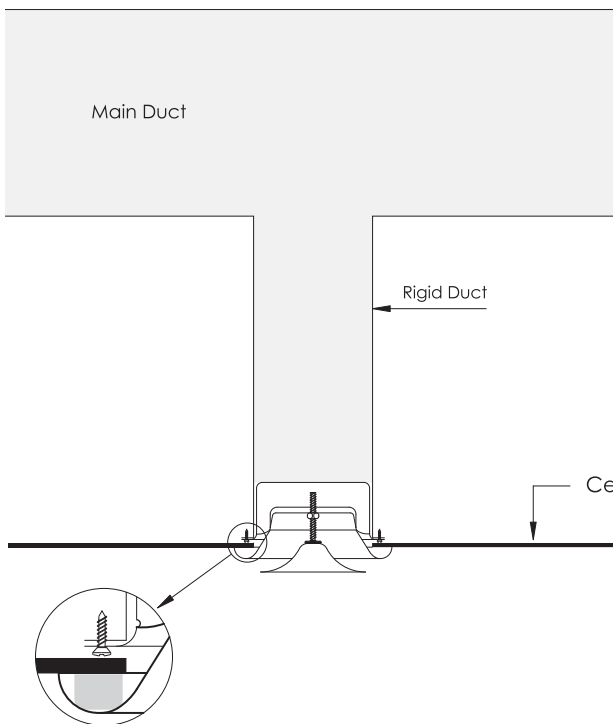
Fixing Collar / Mounting Ring Details



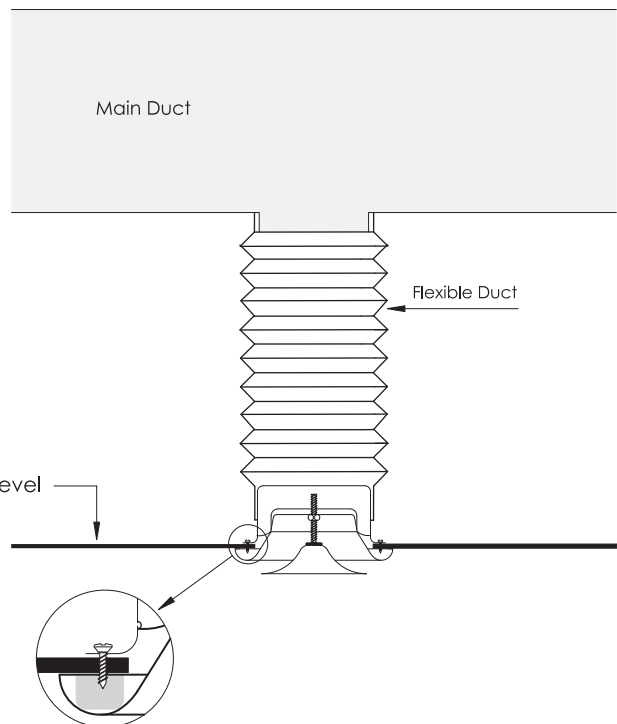
- Refer to previous page for sizes and dimensions details.

Mounting Instructions

Connection To Round Rigid Duct



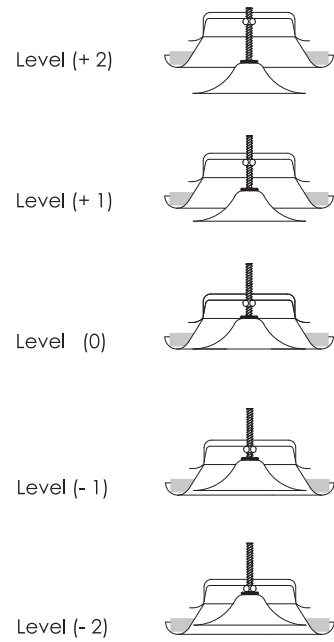
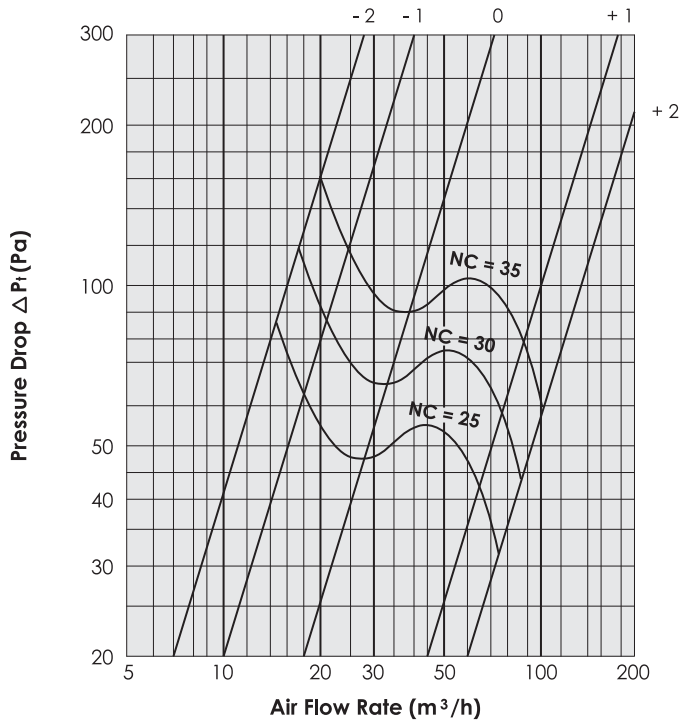
Connection To Round Flexible Duct



Engineering and Performance Data

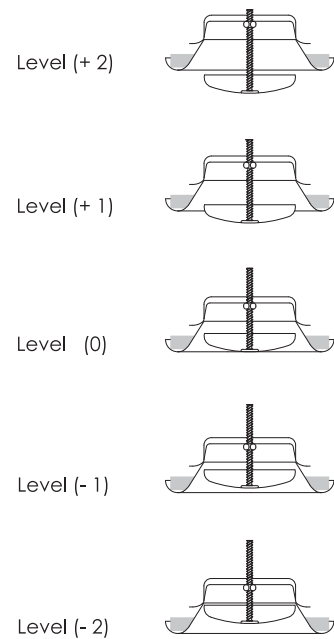
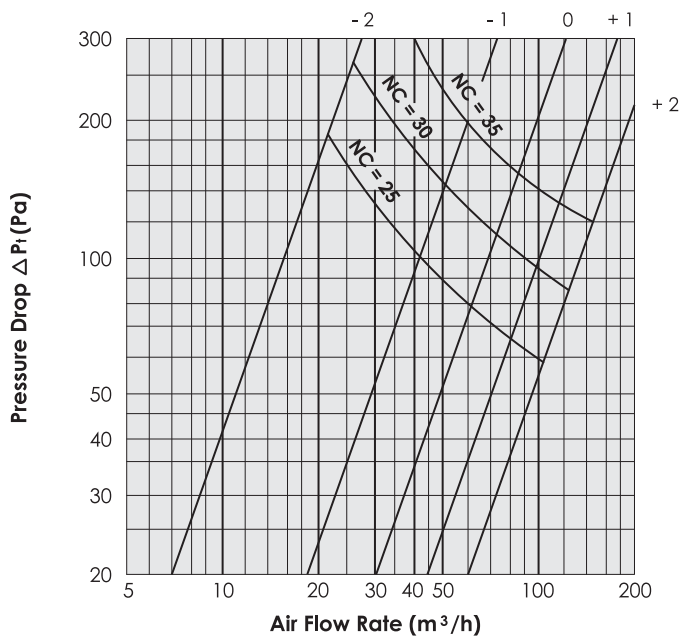
Supply Disc Valve, Model SUPPLY D.V. METAL

Size 100 mm \varnothing



Exhaust Disc Valve, Model EXH. D.V. METAL

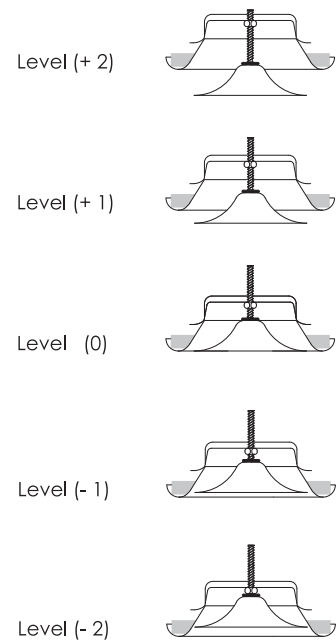
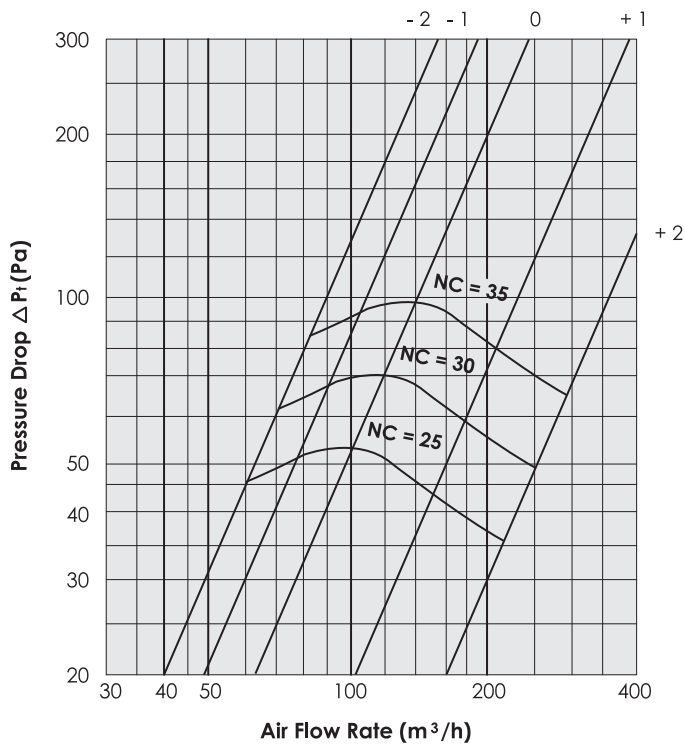
Size 100 mm \varnothing



Engineering and Performance Data

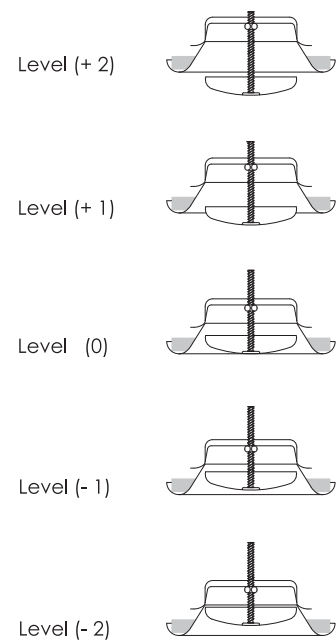
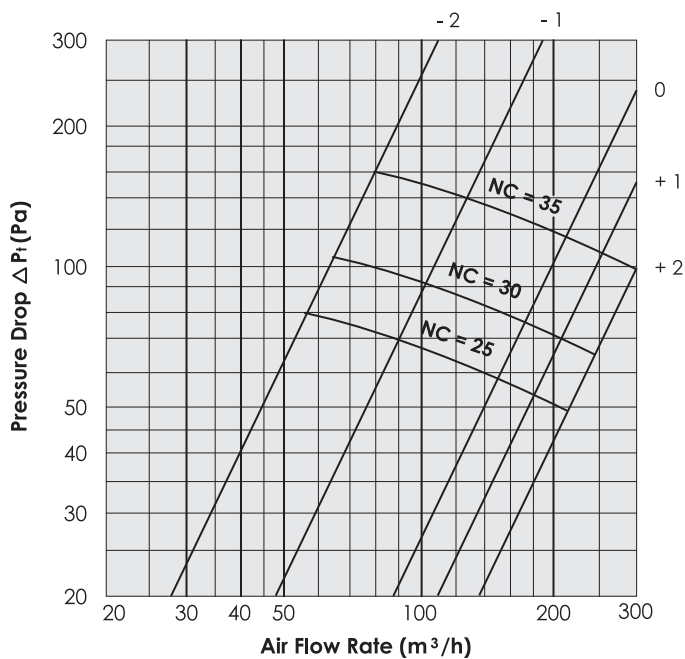
Supply Disc Valve, Model SUPPLY D.V. METAL

Size 150 mm \varnothing



Exhaust Disc Valve, Model EXH. D.V. METAL

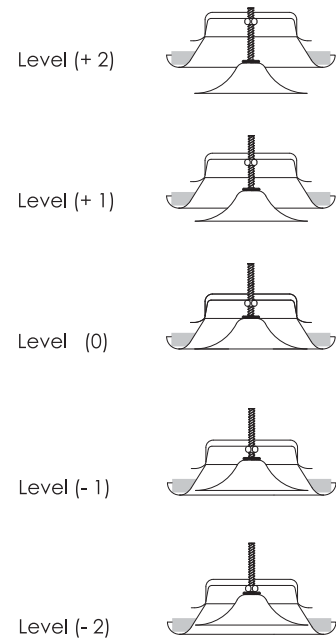
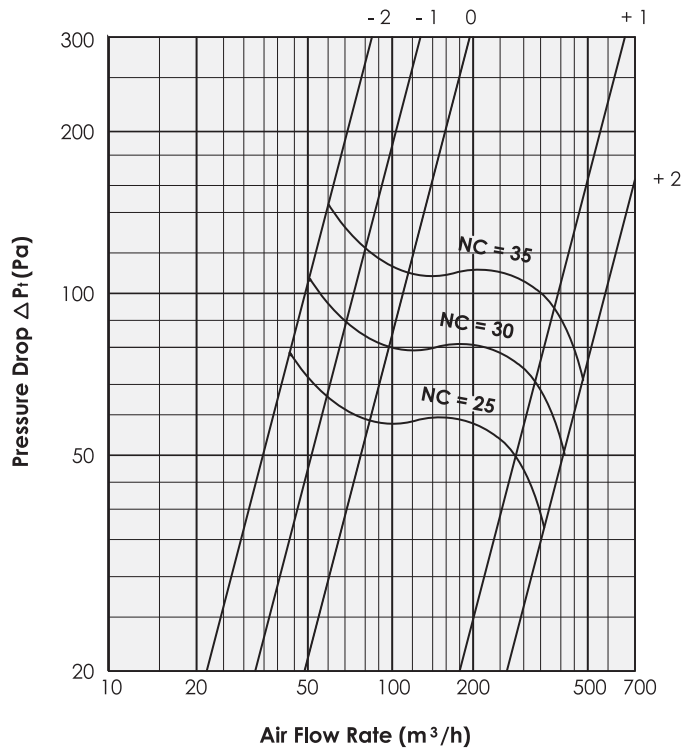
Size 150 mm \varnothing



Engineering and Performance Data

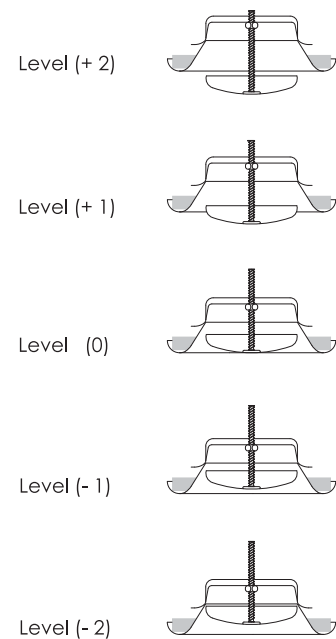
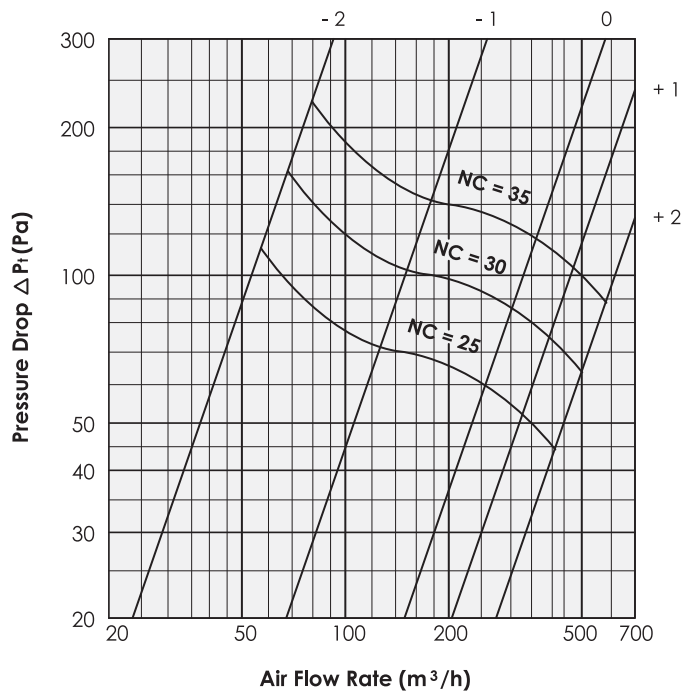
Supply Disc Valve, Model SUPPLY D.V. METAL

Size 200 mm \varnothing



Exhaust Disc Valve, Model EXH. D.V. METAL

Size 200 mm \varnothing



Ordering Data

• Available Surface Finishes For Disc Valves :

- Powder Coated, Standard white color to RAL – 9010, other optional colors if required to be provided in RAL - No. only and charged extra.

• Ordering Specifications :

Specify :

- 1 . Disc Valve Description / Model (Supply or Exhaust).
- 2 . Nominal / Neck Diameter Size.
- 3 . Quantity.
- 4 . RAL – No. (colors other than RAL – 9010 to be charged extra).

Example 1 :

1	2	3	4
SUPPLY D.V. METAL	100 mm Ø 4" Ø	25	9010 (standrad)

Example 2 :

1	2	3	4
EXH. D.V. METAL	150 mm Ø 6" Ø	1500	9010 (standrad)

Example 3 :

1	2	3	4
EXH. D.V. METAL	200 mm Ø 8" Ø	12	9016 (optional)



BEST CHOICE INDUSTRIES L.L.C.
MANUFACTURING CENTRAL AIR CONDITIONING AIR OUTLETS

Tel. : 04 - 88 55 422, Fax : 04 - 88 55 421, P.O. Box: 31567, Dubai-U. A. E. - E-mail: bcillc@emirates.net.ae