

# CHAPTER 13

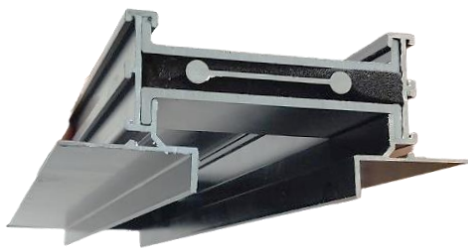


**FLOW BAR  
DIFFUSER**

# FLOW BAR DIFFUSER



## CEILING MOUNTED FLOW BAR DIFFUSER



**Hidden / Recessed Frame  
(Standard)**

**Visible Frame  
(Optional)**

### KEY FEATURES

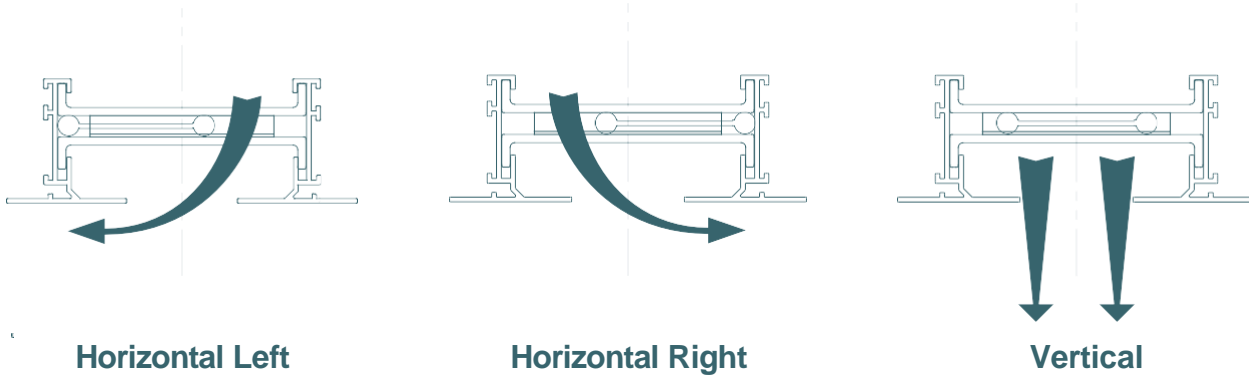
- Single slot diffuser available in 3 slot openings, thus: 38 mm, 51mm and 63 mm.
- Good for ceiling mounting applications.
- Continuous Lengths with easy alignment.
- Available in Corner Pieces.
- Adjustable Discharge pattern.
- Concealed Fixing .
- Single section length upto 3000mm.
- Available in two types, thus:-
  - Hidden / Recessed Frame Type (standard model) good for lay-in-ceiling installations.
  - Visible Frame Type (optional model) good for standard ceiling installations.

# FLOW BAR DIFFUSER



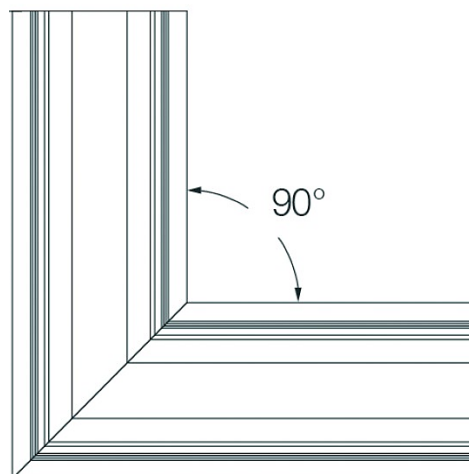
## AIR ADJUSTABLE PATTERNS

### High Throw Ceiling Mounted

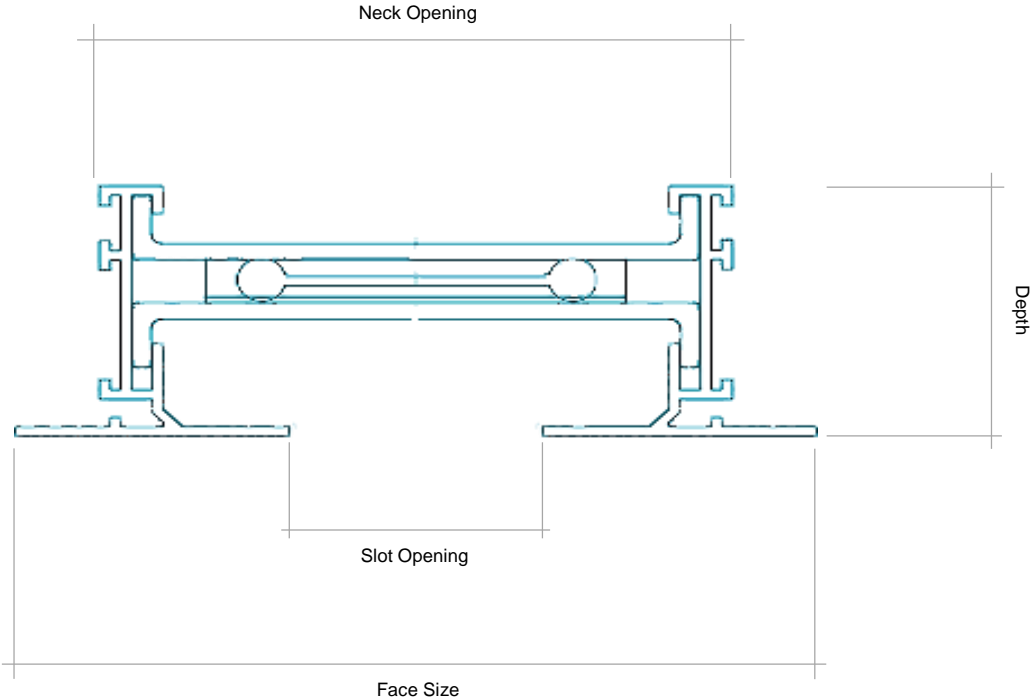


## CORNER SECTIONS

### 90° Mitred Corner



# FLOW BAR DIFFUSER



## TABLE TO DIMENSIONS

### 1 SLOT DIMENSIONS

SLOT OPENING / WIDTH	NECK OPENING	FACE SIZE	DEPTH
38 mm	82 mm	121 mm	41 mm
51 mm	95 mm	133 mm	41 mm
63 mm	107 mm	145 mm	41 mm

# FLOW BAR DIFFUSER



## PERFORMANCE DATA

Data based on active section 1200mm long

<b>38 mm Slot Width</b>	Air Flow (CFM)	91	138	138	183	230	277	322	377
	Static Pressure (Pa)	8	18	18	32	51	73	99	129
	NC (Noise Criteria)	<10	14	14	24	31	37	42	48
	Throw (mtr)	1.8 – 3 – 5	3 – 4.3 – 5.8	3 – 4.3 – 5.8	4 – 5 – 6.8	4.3 – 5.5 – 7.5	5 – 5.8 – 8.3	5.3 – 6.5 – 8.8	5.5 – 6.8 – 9.8

<b>51 mm Slot Width</b>	Air Flow (CFM)	91	155	217	277	336	400	466
	Static Pressure (Pa)	5	14	28	46	68	95	127
	NC (Noise Criteria)	<10	11	22	30	36	41	46
	Throw (mtr)	1.5 – 2.8 – 5	2.8 – 4.3 – 6	4 – 5.3 – 7.3	5 – 5.8 – 8.3	5.3 – 6.5 – 9.3	5.8 – 7 – 10	6 – 7.5 – 10.8

<b>63 mm Slot Width</b>	Air Flow (CFM)	91	168	244	322	400	477	555
	Static Pressure (Pa)	3	10	22	38	58	82	110
	NC (Noise Criteria)	<10	11	23	31	38	43	48
	Throw (mtr)	1.3 – 2.5 – 5	3 – 4.5 – 6.5	4.3 – 5.5 – 8	5.3 – 6.5 – 8.8	5.8 – 7 – 10	6.5 – 7.5 – 11	6.8 – 8.3 – 12.8

### Noise Criteria Correction Table

Length (mm)	600	1200	1800	2400	3000
Supply	-3	0	+2	+3	+5
Return	0	+3	+5	+6	+8

### Throw Correction Table

Length (mm)	600	1200	2400	3000	3600
Throw Multiplier	0.72	1	1.5	1.7	1.8

- Data are given based on 1200mm active length section.
- For other lengths, see correction tables for NC & Throw.
- Throw Values are given based on terminal velocities of 0.75m/s – 0.50m/s – 0.25m/s respectively.
- Data are given with no Plenum Box consideration.
- Data are given for 1 slot based on Vertical Discharge from the Slot Face.